

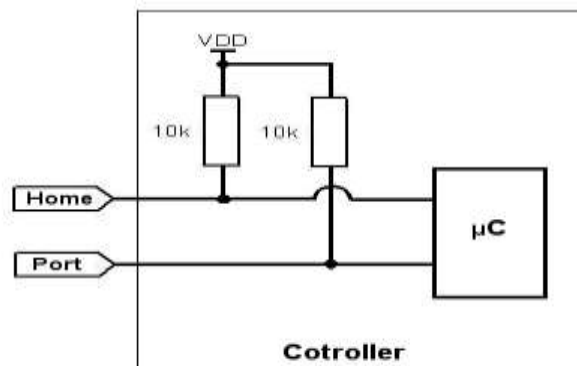
## FHT Position Sensor Specification

Wire Name	Color	Description	Specification
VCC	Orange	DC Supply input	+5V to +30V DC, 30mA max
Home	Yellow	Home Signal Output	Open collector output, Active low (<1V)
Port	Brown	Port Signal Output	Open collector output, Active low (<1V)
GND	White	Power/Signal Ground	Power and signal return

For valves assembly that comes with the integrated controller/driver module, the position sensor is pre-wired to the controller's corresponding inputs.

For valves assembly without integrated controller/driver module, the position sensor is to be provided with external power (+5V to +30V DC and Ground). The "Home" and "Port" signal outputs should be connected to a controller signal input channels that have internal pull-up resistors of greater than 2k $\Omega$  (10k $\Omega$  is recommended). In this option, the position sensor is supplied with 250 mm lead wires.

FHT Position Sensor to Controller connection reference diagram.



Contact FHT Technical support 1-888-383-8468 or [tz@fluidicht.com](mailto:tz@fluidicht.com) for any question regarding the FHT Position Sensor set up,